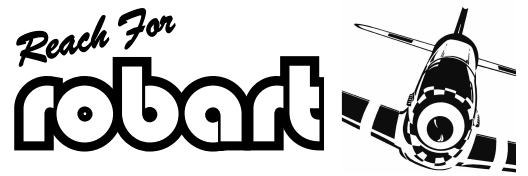
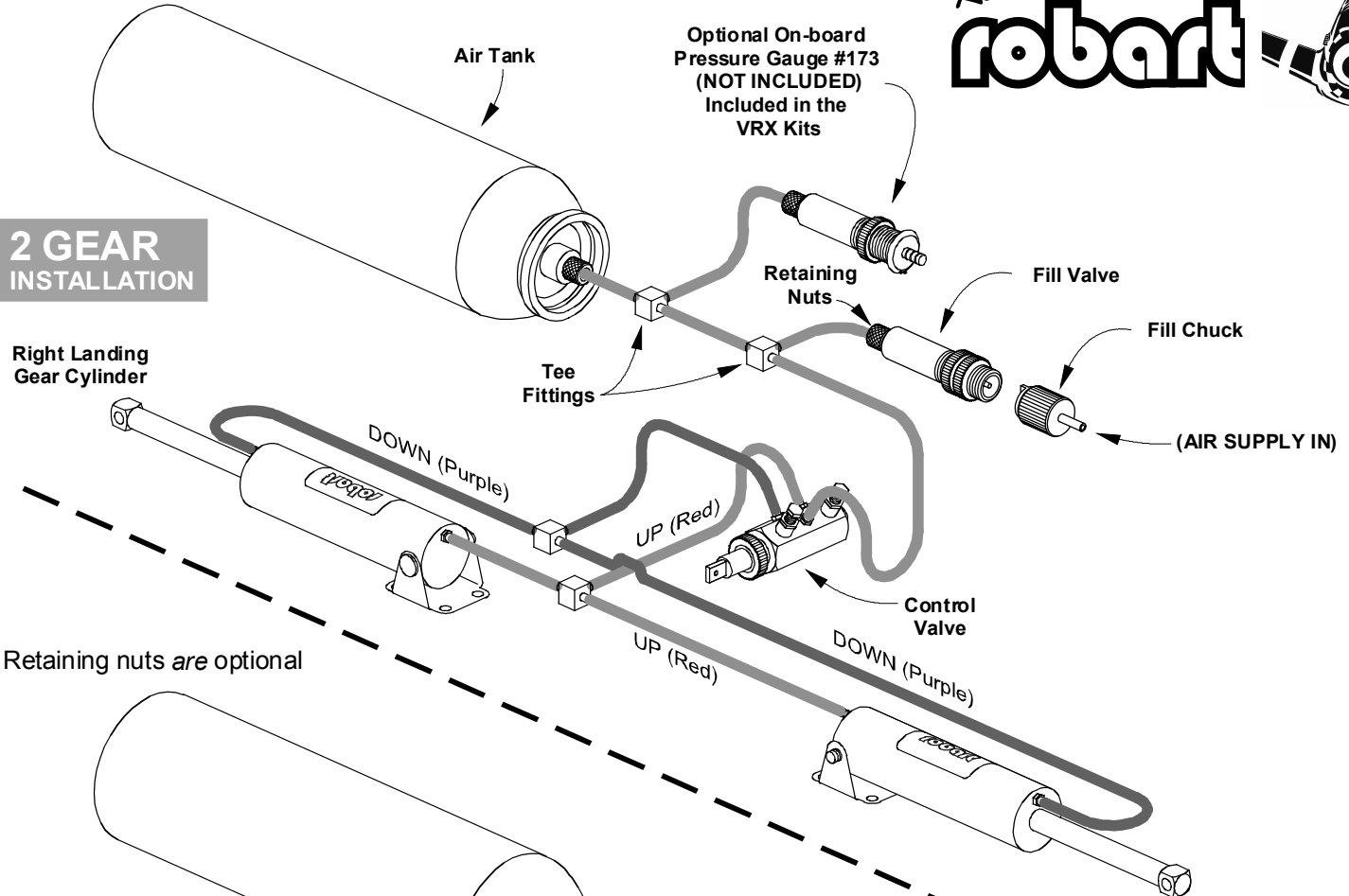


robart VR AIR CONTROL KIT INSTALLATION INSTRUCTIONS

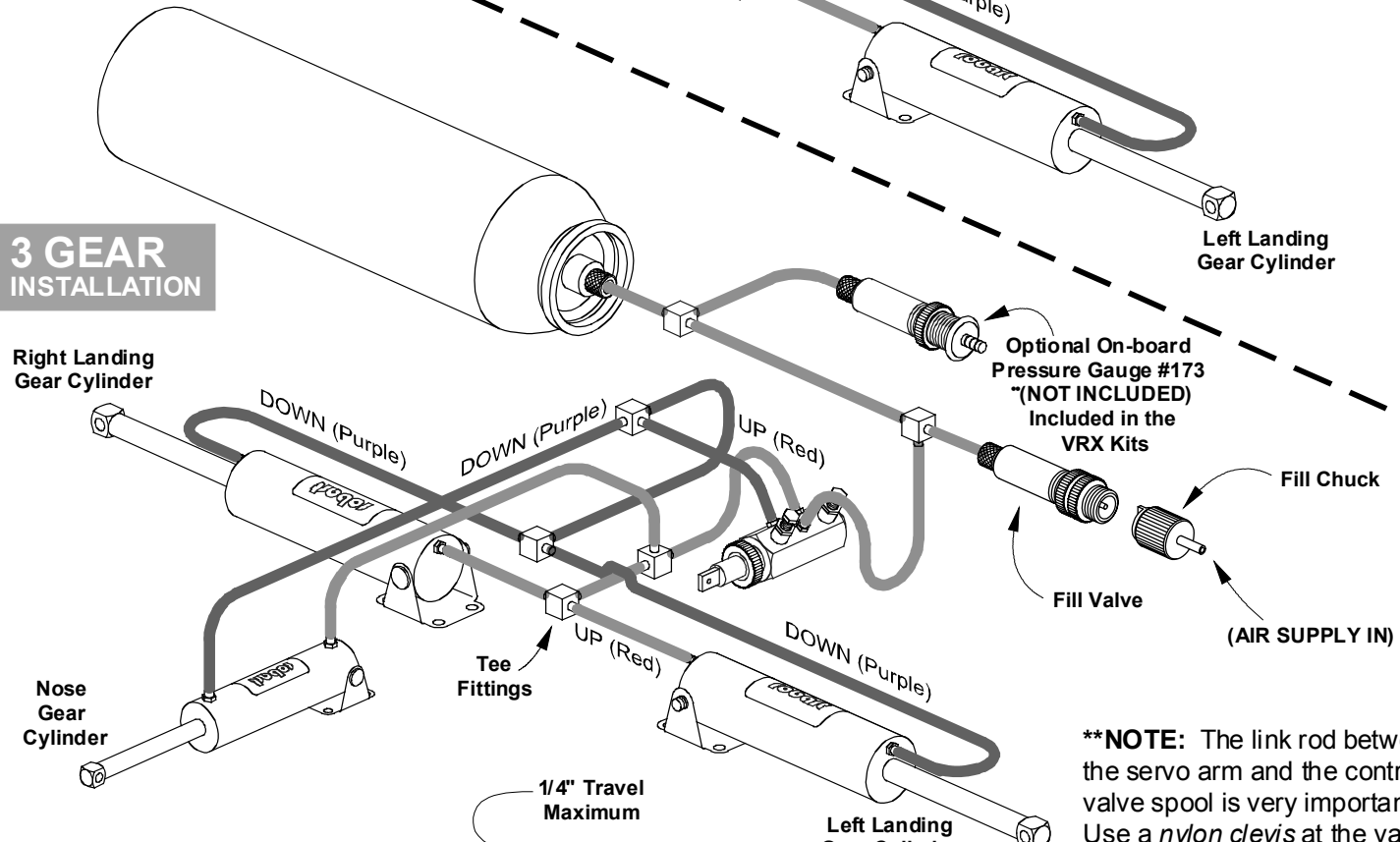


2 GEAR INSTALLATION



Retaining nuts are optional

3 GEAR INSTALLATION



****NOTE:** The link rod between the servo arm and the control valve spool is very important!!! Use a *nylon clevis* at the valve spool and a simple *z-bend* at the servo arm (as shown). The throw on the servo arm should allow for **approximately 1/4" of travel**. This will keep any excessive side loads on the valve spool minimal and, in turn, prevent any leakage around the valve spool seals.

**** USE THE PROPER LINK ROD ASSEMBLY FOR CONTROL VALVE**
(servo, servo arm, and link rod ass'y are NOT included in kit)

